

# Clini-Safe® Anti-Ligature Shower Mixer

Specification Data Sheet



## Technical Information

- Maximum Operating temperature range 0 - 80°
- Min/Max Operating pressure range - 150 - 500kPa
- Inlet connection 15mm (1/2") BSP.

## To Specify

The AS/NZS 3718 WaterMark approved Clini-Safe® shower mixer is supplied standard with an anti-ligature control handle finished in a bright chrome plate.

### Code:

**42030** - Chrome Plated Clini-Safe® Anti-ligature Shower Mixer



A family  
owned  
Australian  
business

  
**galvinspecialised**  
commercial taps + valves

## Performance Standards & Approvals

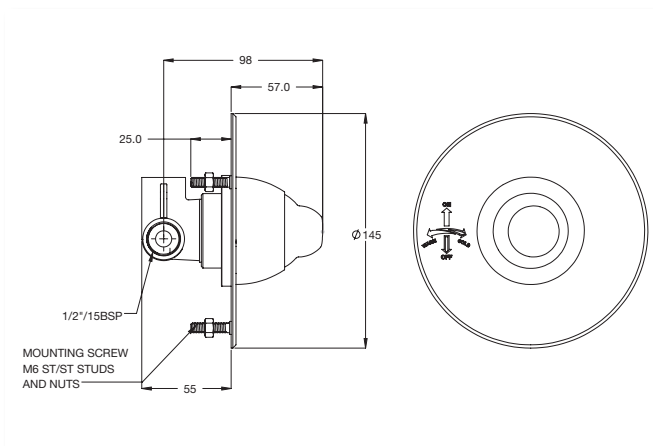
- AS/NZS 3718 – WaterMark



**WaterMark**

AS/NZS 3718 Lic. WMKA0034  
SAI Global

## Typical Dimensions



Illustrated is a 42030

## Features

- 40mm Cartridge Assembly
- Bright Chrome Plate Finish
- Lugged Fixing Points
- 170mm Round Face Plate
- Anti-ligature Compliant

## Maintenance

Chrome Plated Tapware should be cleaned with a soft damp cloth using only mild liquid detergent or soap and water. Do not use cleaning agents containing a corrosive acid, scouring agent or solvents. Do not use cream cleaners, as they are abrasive.

Epoxy coated surfaces should only be cleaned with a cloth and clear water or mild detergent. Use of unsuitable cleaning agents may damage the surface. Any damage caused in this way will not be covered by warranty.

If regreasing spindles always use a silicon based potable water approved lubricant.

Galvin Engineering tapware must be installed in accordance with the provisions of AS/NZS 3500. Installations not complying with AS/NZS 3500 may void the product and performance warranty provisions

## Warranty

Galvin Engineering's Tapware products, unless specified otherwise have a 1 year warranty: excludes damage to ceramic disc cartridges from pieces of copper tube, plastic tube, sand, dirt or thread tape etc. Water conditions must comply with national standards and all ceramic or valves will be subject to annual maintenance procedures. Please refer to our Manufacturers Warranty at [www.galvinspecialised.com.au](http://www.galvinspecialised.com.au) for full detail.

Whilst all reasonable care has been taken in compiling the information in this document, the designs, dimensions and products shown are indicative only and should not be relied upon without our prior approval. Due to our policy of continuous development, we reserve the right to alter any details of specifications or products without notice. All information, drawings, technical specifications and product designs remains the property of Galvin Engineering Pty Ltd.

410 Victoria Rd, Malaga, WA 6090  
Within Australia: **1300 514 074** Outside Australia: P: +61 (0)8 9249 5900  
F: +61 (0)8 9249 5916  
[sales@galvinspecialised.com.au](mailto:sales@galvinspecialised.com.au)  
[www.galvinspecialised.com.au](http://www.galvinspecialised.com.au)

ABN: 78 008 719 382

PERTH | SYDNEY | MELBOURNE | BRISBANE | ADELAIDE

A business unit of

**GalvinEngineering**   
the mark of reliability